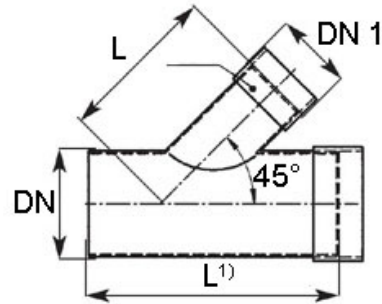


HOBAS® GRP Junctions

Wye junctions are used to connect HOBAS CC-GRP or PVC supply lines (other materials on request) to the main HOBAS CC-GRP Pipe System. Both the main body and the branch are fitted with couplings. If the branch pipe is made of PVC, the end of the wye branch is fitted with a suitable socket (alternatively, a Straub/Flex Seal coupling system may be used).



DN.....Nominal Diameter [mm]
 L.....Length [mm]
 DN1.....Nominal Diameter 1 [mm]



DN	DN 1	L
150	150	650
200	150	650
200	200	850
250	250	1000
250	200	850
250	150	650
300	250	1000
300	200	850
300	150	650
300	300	1000
350	200	850
350	150	650
350	250	1000
350	350	1000
350	300	1000
400	250	1000
400	150	650
400	200	850
400	400	1200
400	350	1000
400	300	1000
500	150	650
500	400	1200

Dimensions and masses may vary from the tabled values, depending on manufacturing tolerances local standards and practices, however product performance always complies with the relevant standards. HOBAS® reserves the right to change the technical specifications, without prior notice.

DN	DN 1	L
500	350	1000
500	300	1000
500	250	1000
500	200	850
500	500	1500
600	400	1200
600	200	850
600	250	1000
600	350	1000
600	500	1500
600	600	1750
600	150	650
600	300	1000
700	150	1000
700	350	1000
700	500	1500
700	250	1000
700	600	1750
700	400	1200
700	700	1750
700	200	1000
700	300	1000
800	600	1750
800	150	1000
800	200	1000
800	250	1000
800	300	1000
800	350	1000
800	400	1200
800	700	1750
800	800	2000
800	500	1500
900	400	1200
900	800	2000
900	150	1000
900	200	1000
900	250	1000
900	350	1000

Dimensions and masses may vary from the tabled values, depending on manufacturing tolerances local standards and practices, however product performance always complies with the relevant standards. HOBAS® reserves the right to change the technical specifications, without prior notice.

DN	DN 1	L
900	600	1750
900	700	1750
900	900	2500
900	500	1500
900	300	1000

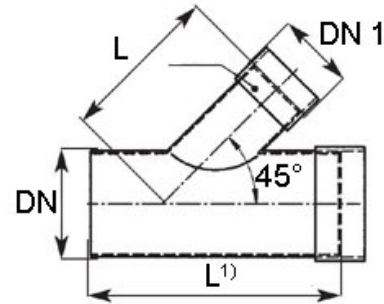
Dimensions and masses may vary from the tabled values, depending on manufacturing tolerances local standards and practices, however product performance always complies with the relevant standards. HOBAS® reserves the right to change the technical specifications, without prior notice.

HOBAS® GRP Junctions

Wye junctions are used to connect HOBAS CC-GRP or PVC supply lines (other materials on request) to the main HOBAS CC-GRP Pipe System. Both the main body and the branch are fitted with couplings. If the branch pipe is made of PVC, the end of the wye branch is fitted with a suitable socket (alternatively, a Straub/Flex Seal coupling system may be used).



DN.....Nominal Diameter [mm]
 L.....Length [mm]
 DN1.....Nominal Diameter 1 [mm]



DN	DN 1	L
1000	400	1200
1000	150	1000
1000	200	1000
1000	250	1000
1000	1000	2500
1000	350	1000
1000	500	1500
1000	600	1750
1000	700	1750
1000	800	2000
1000	900	2500
1000	300	1000
1100	150	1200
1100	300	1200
1100	350	1200
1100	400	1200
1100	500	1500
1100	600	1750
1100	700	1750
1100	800	2000
1100	1000	2500
1100	200	1200
1100	250	1200

Dimensions and masses may vary from the tabled values, depending on manufacturing tolerances local standards and practices, however product performance always complies with the relevant standards. HOBAS® reserves the right to change the technical specifications, without prior notice.

DN	DN 1	L
1100	1100	2500
1100	900	2500
1200	400	1200
1200	150	1200
1200	250	1200
1200	350	1200
1200	200	1200
1200	500	1500
1200	600	1750
1200	700	1750
1200	800	2000
1200	1000	2500
1200	1100	2500
1200	1200	3000
1200	900	2500
1200	300	1200

Dimensions and masses may vary from the tabled values, depending on manufacturing tolerances local standards and practices, however product performance always complies with the relevant standards. HOBAS® reserves the right to change the technical specifications, without prior notice.